

REXROTH "A" PILOTAIR® PNEUMATIC DIRECTIONAL VALVES

Three Way-Normally Closed Cartridge Valves

Technical Data:

Materials	Plastic and Stainless Steel
Operating Pressure (max)	250 psi
Ambient Temperature	-40 to 160° F
Operating Medium	Air
Weight	1.2 oz.

OPERATION

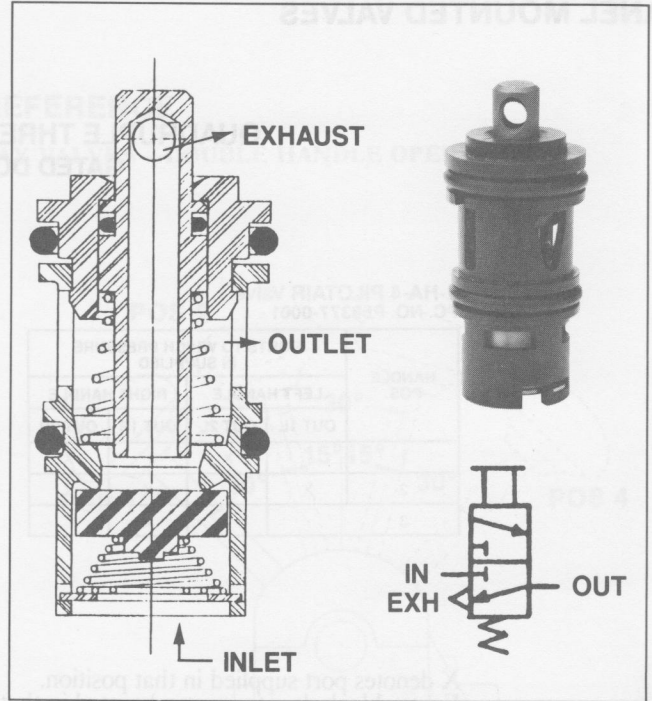
The "A" PILOTAIR® cartridge valve is a mechanically operated (straight push) 3-way directional control valve. It can be easily used in manifolds or in custom installations. This cartridge valve can also be used to graduate pressure (consult factory for additional information).

In release position, as shown, the valve disc seals on the inlet valve seat and closes the passage from the inlet to the outlet. The outlet is vented to atmosphere through the center of the plunger. As the plunger is forced downward by an external force, it seats on the valve disc. This seals the passage between the outlet and exhaust.

Further downward travel of the plunger unseats the valve disc from the inlet valve seat and allows inlet air pressure to flow to the outlet.

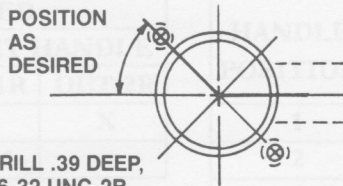
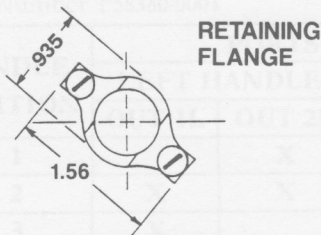
Release of the external force, allows the plunger and valve to spring return to the original position.

Install the valve to ensure operation within the travel limits shown on the outline drawings. Travel beyond these limits can cause damage to the valve.



(B-6 Material Class)

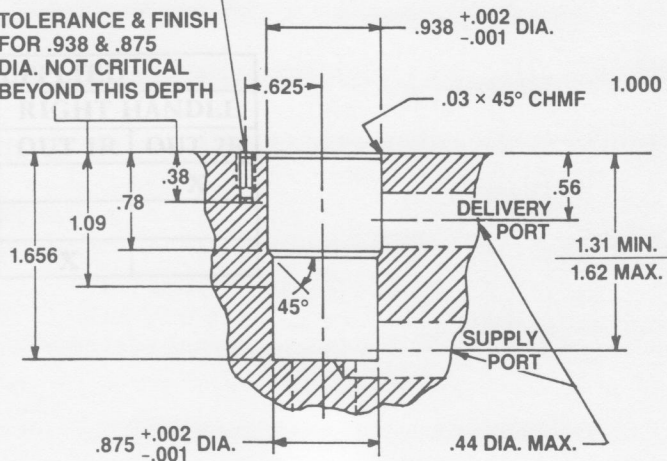
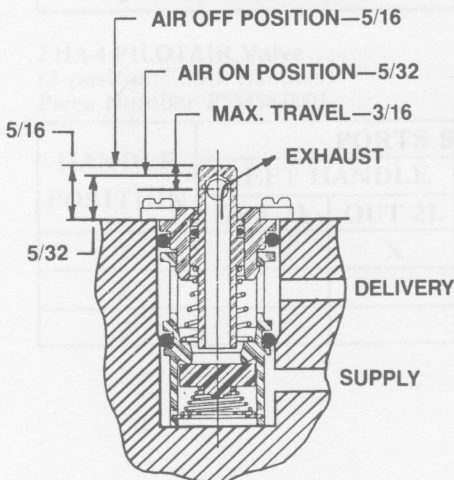
Description	Part Number
Cartridge Alone	P55474-2
Cartridge with Retaining Flange and Screws	P55474-4



TOLERANCES Unless specified otherwise	
TYPE	FINISHED
DEC .00	± .015
DEC .000	± .005
ANGLES	± 1/2°

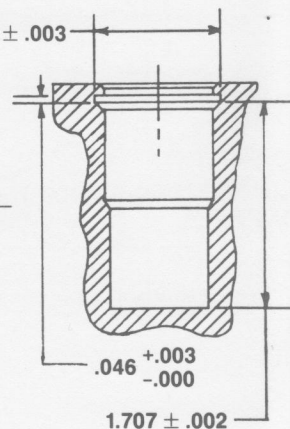
TAP DRILL .39 DEEP, TAP #6-32 UNC-2B .25 MIN FULL THREAD (2) PLACES

TOLERANCE & FINISH FOR .938 & .875 DIA. NOT CRITICAL BEYOND THIS DEPTH



ALTERNATIVE DESIGN:

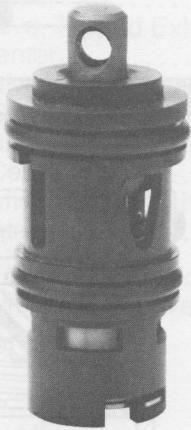
Cartridge held in place by Retaining Ring; Retaining Ring to hold 175 lbs. force respectively.



REXROTH "A" PILOTAIR® CARTRIDGE

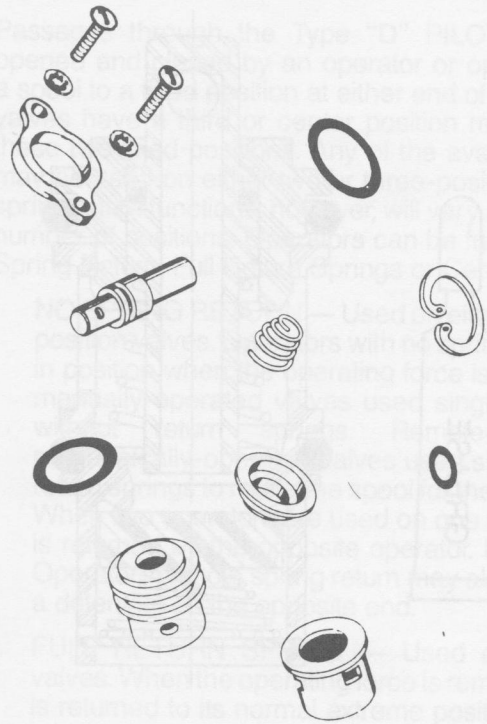
INDEX AND DESCRIPTIONS

NEW "A" PILOTAIR® CARTRIDGE



NEW CARTRIDGE REPAIR KIT P55474-0002

- Simplified Repair
- Factory Tested
- Fits Most Previous Design "A" Pilotair Valves
- Corrosion Resistant



OLD MAJOR REPAIR KIT P55474

The new one piece valve cartridge replaces the individual valve parts assembly for the following devices:

- "A" PILOTAIR Valves
- "H" CONTROLAIR Valves
- FLEXAIR Valves - Side Valve Cavity

Quick, positive repair and conversion can be accomplished by directly replacing the old individual parts with the new factory pressure tested cartridge. The cartridge valve simplifies repair and eliminates possible problems due to improper parts assembly. The modern engineered plastic and stainless steel construction provide superior corrosion resistance and sealing characteristics.

NOTE:

With the above kits, the elastomer seals and some common wear parts in the valve portions of the assemblies can be repaired. On severely worn or damaged valves, additional parts may be required.

The above kits do not contain any parts for the mechanical operating portions of the valves. The mechanical operating portions of the valve should be repaired when necessary, with individually selected parts, and tested before being put in service.

Refer to Service Bulletin BA-74.00 for additional parts information and service instructions on the type "A" PILOTAIR pneumatic directional valves.