



SYSTEMS ENGINEERING, INC.

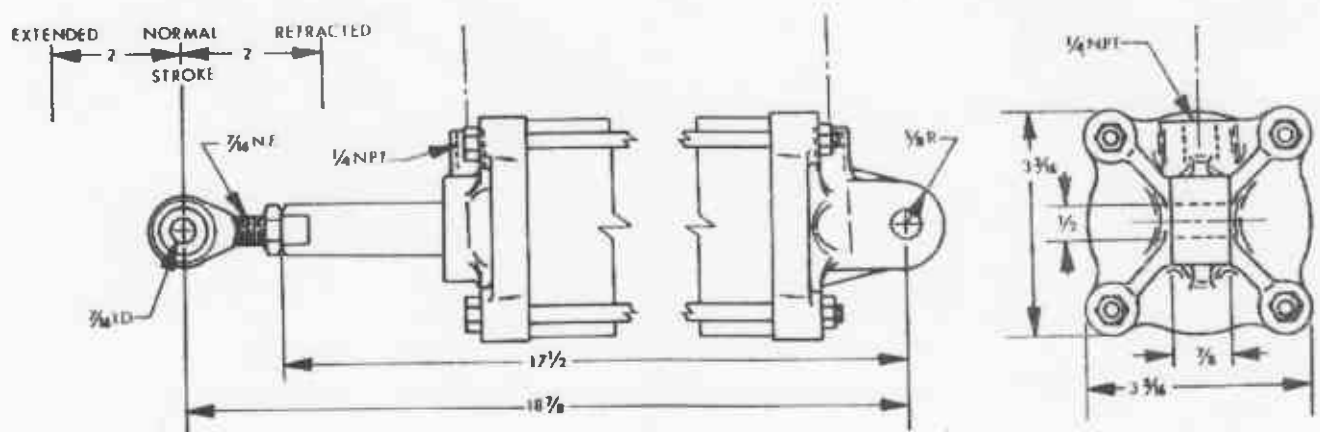
SEATTLE, WASHINGTON

DOUBLE ACTING POSITIONER

Part No.

SE-3400

POSITIONER
2 INCH STROKE EACH WAY FROM CENTER
75 L.B. CENTER PRELOAD
FOR MARINE APPLICATIONS
NON-CORROSIVE MATERIALS.



SE-3400 OUTLINE DIMENSIONS

APPLICATION:

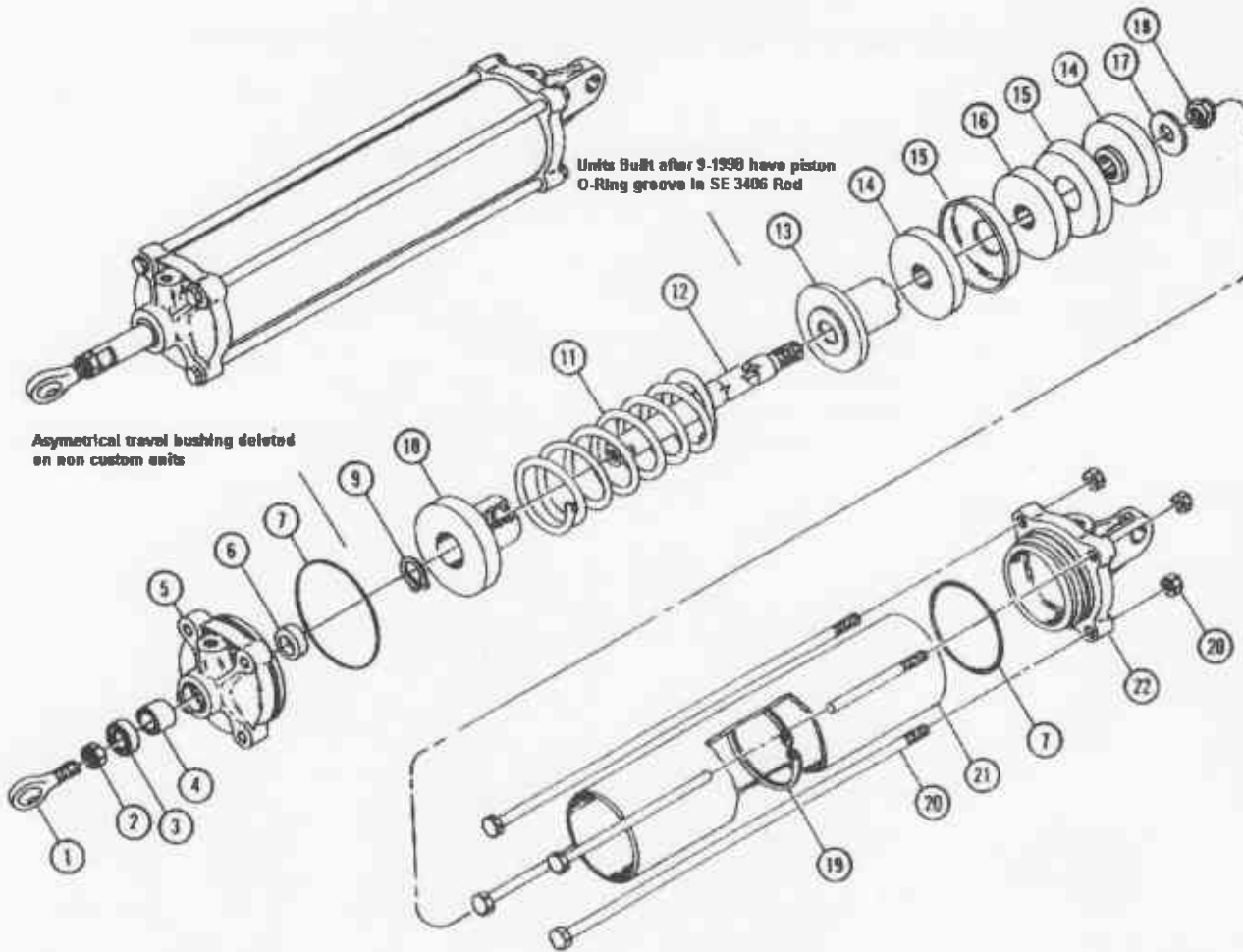
PNEUMATIC POSITIONER PROVIDING INFINITE POSITIONING IN TWO DIRECTIONS WITH POSITIVE CENTERING. FOR POSITIONING DEVICES WITH LOW FORCE CHARACTERISTICS.

CONTROL MANUFACTURE



CONTROL SYSTEM DESIGN

EXPLODED VIEW



PARTS LIST

Part No.	Item No.	Description	Part No.	Item No.	Description
SE-3201	1	ROD END	SE-3406	12	ROD
SE-3202	2	NUT	SE-3407	13	SEAT
SF-3203	3	SEAL	SE-3210	14	SPACER
SE-3204	4	BUSHING	SE-3209	15	CUP
SE-3401	5	HEAD	SE-3408	16	PISTON
SF-3402	6	SEAL	SE-3211	17	WASHER
SF-3214	7	O-RING	SF-3212	18	NUT
SE-3404	9	SNAP-RING	SF-3409	19	SNAP-RING
SE-3405	10	SEAT	SE-3410	20	TIE-ROD ASSEMBLY
SE-3206	11	SPRING	SE-3411	21	CYLINDER
			SF-3215	22	HEAD

EXPLODED VIEW

Items 14-18 are installed from the opposite side of the cylinder

The distance to the large snap ring is LONGER on the piston side

